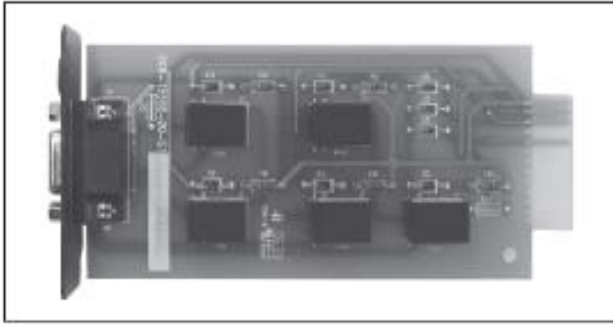


ION F16-AS400
USER MANUAL

PRODUCT APPEARANCE



PRODUCT FUNCTION

Through AS400 card, you can get the voltage free dry-contact (Binary) signals for the programmable controller and management system.

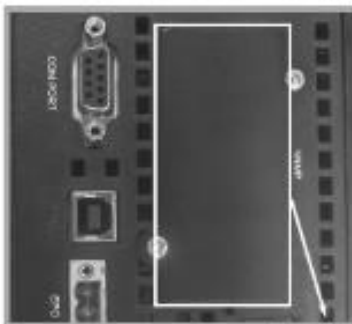
Sub-9 Port

APPLICATION DOMAIN

- ⊙ IBM Server, Personal PC & Workstations equipments
- ⊙ Auto-control Industrial equipment & communication application
- ⊙ Users can design the application program by the interface of AS400 card

INSTALLATION

- ⊙ Remove the cover of Intelligent Slot on the rear panel.



Cover of Intelligent Slot

1

- ⊙ Insert AS400 card into the Intelligent Slot.



- ⊙ The cover of AS400 card should attach close to the rear panel. Then fixing it by using screws.



- ⊙ Use the 9 Pin communication cable to connect the UPS and equipment to implement the remote monitor and control.

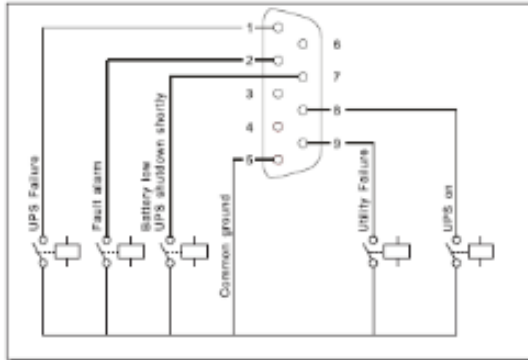


9-Pin Communication Cable

2

SPECIFICATION

Internal Circuit of Sub-D9 Port



Electric Parameter of Sub-D9 Port

	Parameter	SYMBOL	MAX.	UNIT
Relay	DC Voltage	V_{dc}	24	V
	DC Current	I_{dc}	1.0	A

Pin Definition

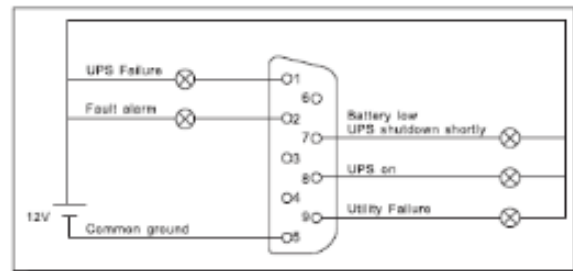
Pin Assignment	Function Description	I/O
Pin1	UPS Failure	O/P
Pin2	UPS Audible Alarm	O/P
Pin5	Common for Relays	I/P
Pin7	Battery Low	O/P
Pin8	UPS ON	O/P
Pin9	Utility Failure	O/P

Function Description

Phenomenon	Reason
Pin1 short to Pin5	Battery Failure
Pin2 short to Pin5	UPS is in fault condition
Pin7 short to Pin5	Battery voltage is low
Pin8 short to Pin5	UPS is on
Pin9 short to Pin5	Utility Failure

APPLICATION

Below shows the circuit of basic application to implement the remote monitor and control.



user interface